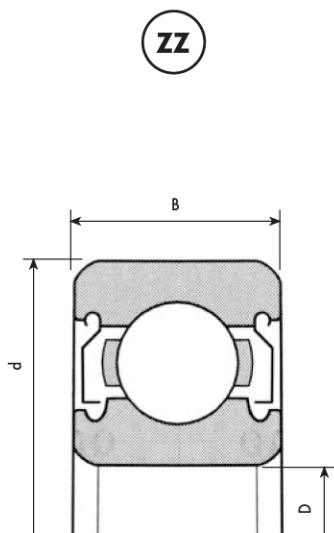
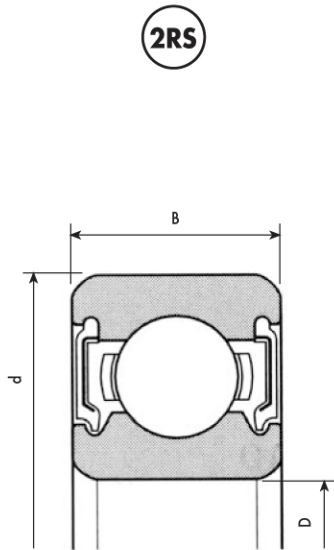




CUSCINETTI RADIALI RIGIDI A SFERA RCC

PRODOTTI DA AZIENDA CERTIFICATA ISO 9001



TIPO	D mm	d mm	B mm	Carico dinamico KN	Carico statico KN	Peso kg
607 2RS - 607 ZZ	7	19	6	2.88	1.08	0.007
608 2RS - 608 ZZ	8	22	7	3.32	1.38	0.015
609 2RS - 609 ZZ	9	24	7	3.35	1.40	0.016
6000 2RS - 6000 ZZ	10	26	8	4.58	1.98	0.019
6001 2RS - 6001 ZZ	12	28	8	5.10	2.38	0.022
6002 2RS - 6002 ZZ	15	32	9	5.58	2.85	0.031
6003 2RS - 6003 ZZ	17	35	10	6.00	3.25	0.040
6004 2RS - 6004 ZZ	20	42	12	9.38	5.02	0.068
6005 2RS - 6005 ZZ	25	47	12	10.00	5.85	0.078
6006 2RS - 6006 ZZ	30	55	13	13.20	8.30	0.117
6007 2RS - 6007 ZZ	35	65	14	16.00	10.30	0.156
6008 2RS - 6008 ZZ	40	68	15	16.80	11.50	0.194
6009 2RS	45	75	16	21.00	15.20	0.246
6010 2RS	50	80	16	21.80	16.60	0.264
6011 2RS	55	90	18	28.30	21.30	0.384
6012 2RS	60	95	18	29.50	23.20	0.418
6200 2RS - 6200 ZZ	10	30	9	5.10	2.38	0.032
6201 2RS - 6201 ZZ	12	32	10	6.82	3.05	0.035
6202 2RS - 6202 ZZ	15	35	11	7.65	3.72	0.045
6203 2RS - 6203 ZZ	17	40	12	9.58	4.78	0.064
6204 2RS - 6204 ZZ	20	47	14	12.80	6.56	0.103
6205 2RS - 6205 ZZ	25	52	15	14.00	7.88	0.127
6206 2RS - 6206 ZZ	30	62	16	19.50	11.30	0.199
6207 2RS - 6207 ZZ	35	72	17	25.70	15.30	0.288
6208 2RS - 6208 ZZ	40	80	18	29.10	17.90	0.366
6209 2RS - 6209 ZZ	45	85	19	32.50	20.50	0.407
6210 2RS - 6210 ZZ	50	90	20	35.00	23.20	0.463
6211 2RS - 6211 ZZ	55	100	21	43.50	29.30	0.607
6212 2RS - 6212 ZZ	60	110	22	52.50	36.00	0.783
6214 2RS - 6214 ZZ	70	125	24	60.20	42.30	0.980
6300 2RS	10	35	11	7.65	3.48	0.053
6301 2RS	12	37	12	9.72	5.08	0.061
6302 2RS	15	42	13	11.50	5.42	0.080
6303 2RS	17	47	14	13.50	6.58	0.109
6304 2RS	20	52	15	15.80	7.88	0.142
6305 2RS	25	62	17	22.20	11.50	0.219
6306 2RS	30	72	19	27.00	15.20	0.349
6307 2RS	35	80	21	33.40	19.20	0.455
6308 2RS	40	90	23	40.80	24.00	0.639
6309 2RS	45	100	25	52.50	31.80	0.837
6310 2RS	50	110	27	61.80	38.00	1.082
6311 2RS	55	120	29	71.50	44.80	1.369
6312 2RS	60	130	31	81.80	51.80	1.710
6313 2RS	65	140	33	93.80	60.50	2.100
6314 2RS	70	150	35	105.00	68.00	2.550
6315 2RS	75	160	37	113.00	76.80	3.050