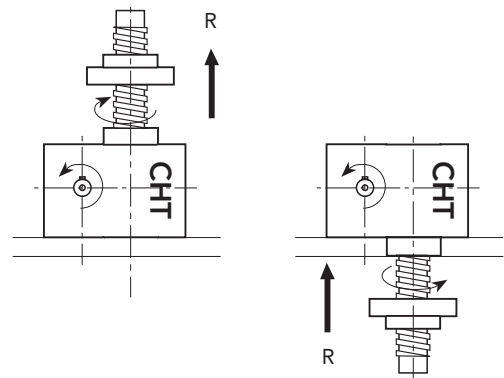
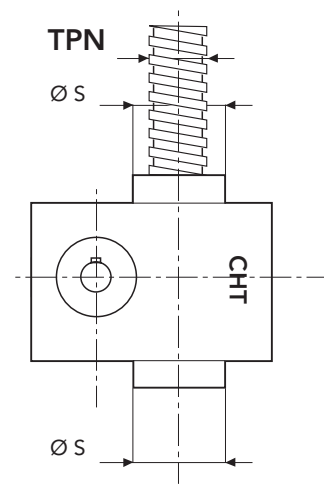
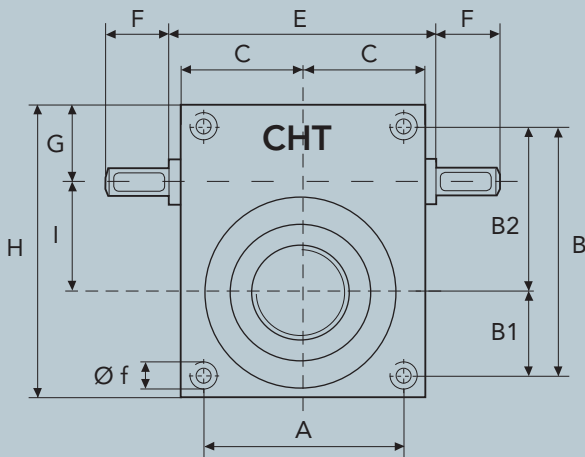
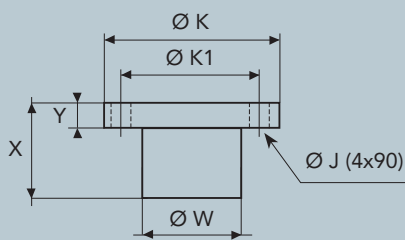


L = CORSA



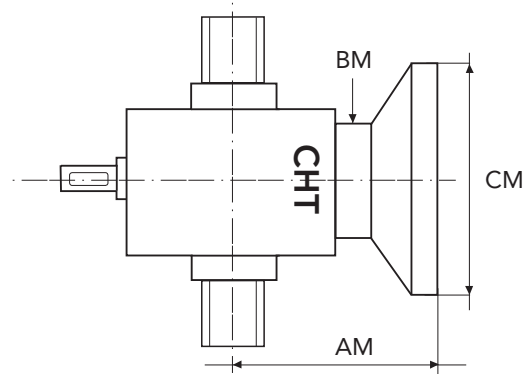
SERIES CHS 2 TS - 1000 daN · TPN 20x4

## BRONZE NUT



	X	Y	Ø W	Ø K	Ø K1	Ø J
CHS2	45	12	32	60	45	7

## MOTORS ADAPTORS FLANGES



MOTOR	FLANGE TYPE	CM	AM	BM
GR. 63	B5	140	84	64
	B14	90		
GR. 71	B5	160	84	64
	B14	105		

## CONFIGURATION

